
Comfort-Aire®

Century®

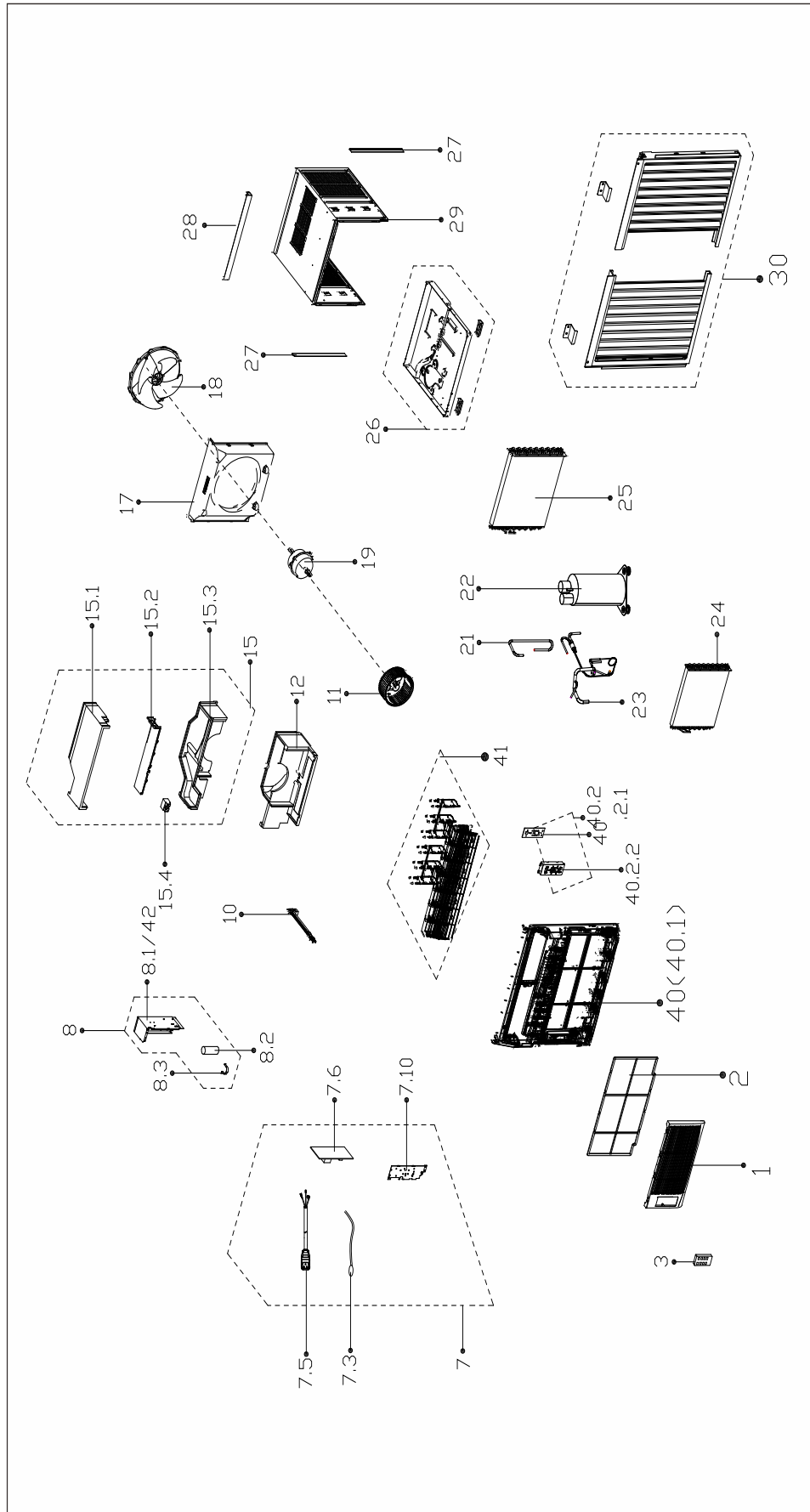


REPLACEMENT PARTS LIST

Room Air Conditioner

RADS-121R

EXPLODED VIEW



REPLACEMENT PARTS

| Location | Part Name | Quantity | Part No. |
|----------|--------------------------------------|----------|----------------|
| 1 | Front panel assembly | 1 | 12120300A26329 |
| 1.1 | Panel | 1 | 12120300A21690 |
| 1.2 | Panel frame assembly | 1 | 12120300A21711 |
| 1.2.2 | Panel frame | 1 | 12120300A21892 |
| 1.5 | Air outlet assembly | 1 | 12120300A25008 |
| 1.6 | Air filter | 1 | 12100204A00044 |
| 1.8 | Display box subassembly | 1 | 17220300A18867 |
| 1.9 | WIFI module subassembly | 1 | 17310900001961 |
| 3 | Remote controller | 1 | 17317000A59605 |
| 7 | Electronic control box subassembly | 1 | 17220300A15909 |
| 7.3 | Room Temperature Sensor | 1 | 11201007003446 |
| 7.5 | Power cord subassembly | 1 | 17401202000044 |
| 7.6 | Main control board subassembly | 1 | 17120300003871 |
| 7.10 | Cover of electronic control box | 1 | 12220300000494 |
| 8 | Electronic control box assembly | 1 | 17220300003653 |
| 8.2 | Combination capacitor | 1 | 17400104000795 |
| 8.3 | Fix clamp | 1 | 12200203000798 |
| 10 | Connecting rod of fresh air door | 1 | 12120300004269 |
| 11 | centrifuge fan | 1 | 12100103000052 |
| 12 | Volute shell subassembly(above) | 1 | 12820300000559 |
| 15 | Volute shell subassembly(above) | 1 | 12820300000560 |
| 15.1 | Volute shell (above) | 1 | 12820300000098 |
| 15.2 | Supporter subassembly of air passage | 1 | 12120300004509 |
| 15.3 | Volute shell (middle) | 1 | P0000001347286 |
| 15.4 | Bracket of fresh air door | 1 | 12120300004508 |
| 17 | Rear barrier board subassembly | 1 | 12120300004268 |
| 18 | Axial flow fan | 1 | 12100105000032 |
| 19 | Single phase asynchronous motor | 1 | 11002012010280 |
| 21 | Suction pipe | 1 | 15120300006402 |
| 22 | Fixed speed rotary compressor | 1 | 11103010015853 |
| 23 | Discharge pipe assembly | 1 | 15120300000971 |
| 24 | Evaporator assembly | 1 | 15820300002742 |
| 25 | Condenser Assembly | 1 | 15820300000626 |
| 26 | Chassis assembly | 1 | 12220300003499 |
| 27 | Connecting bar of cabinet | 2 | 12120300005526 |
| 28 | Top shutter frame subassembly | 1 | 12220300003501 |
| 29 | Cabinet assembly | 1 | 12220300003498 |
| 30 | Installation accessory | 1 | 12020300000787 |
| 42 | Electronic control box subassembly | 1 | 12220300003500 |

Due to ongoing product improvements, specifications and dimensions are subject to change and correction without notice or incurring obligations. Determining the application and suitability for use of any product is the responsibility of the installer. Additionally, the installer is responsible for verifying dimensional data on the actual product prior to beginning any installation preparations.

Incentive and rebate programs have precise requirements as to product performance and certification. All products meet applicable regulations in effect on date of manufacture; however, certifications are not necessarily granted for the life of a product. Therefore, it is the responsibility of the applicant to determine whether a specific model qualifies for these incentive/rebate programs.

Comfort-Cire®  **Century**®

1900 Wellworth Ave., Jackson, MI 49203 • Ph. 517-787-2100 • www.marsdelivers.com

